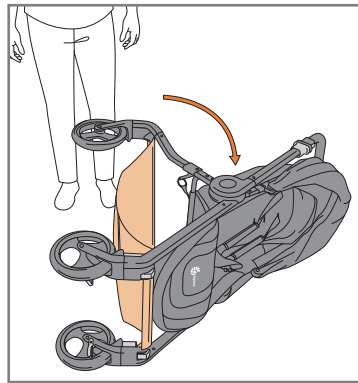
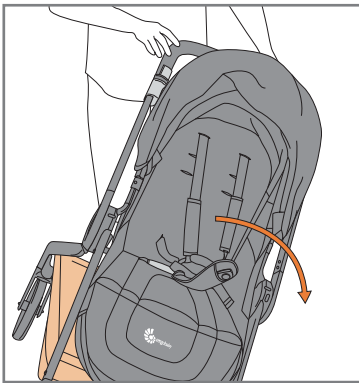
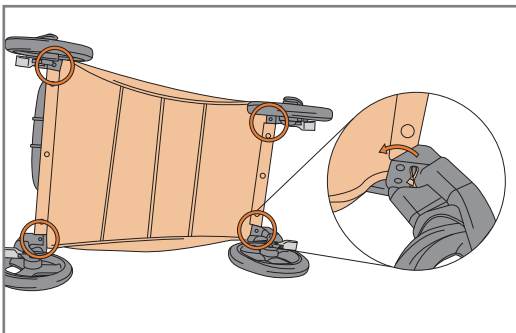


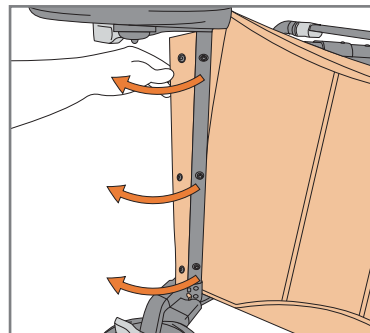
## HOW TO REMOVE YOUR OLD BASKET



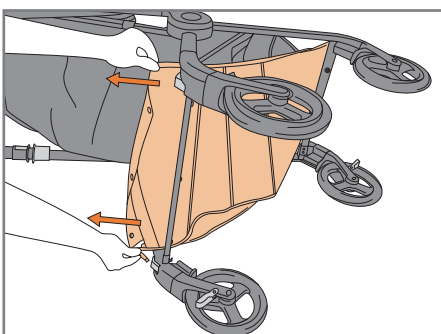
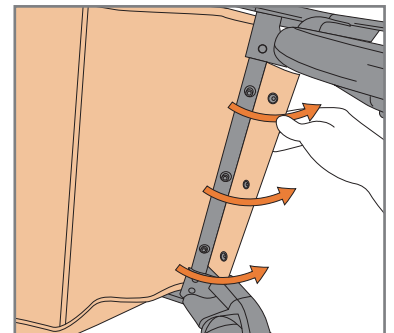
1. Turn the stroller on its side.



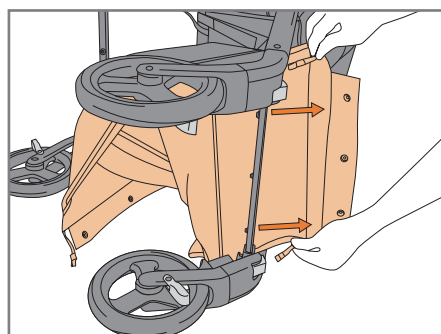
2. Unhook the four elastic loops from the corners of the basket.



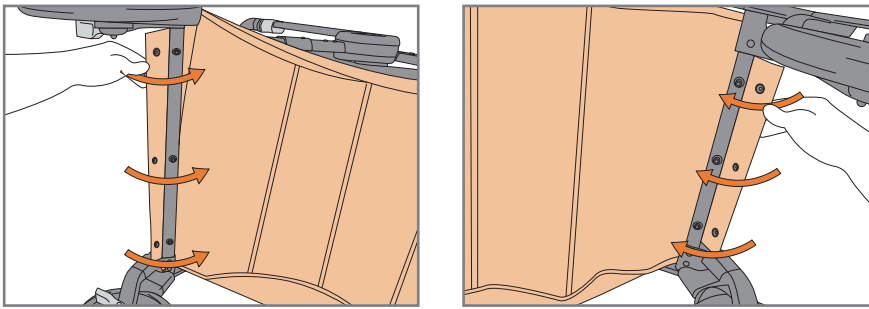
3. Undo snaps on the front and back of basket.



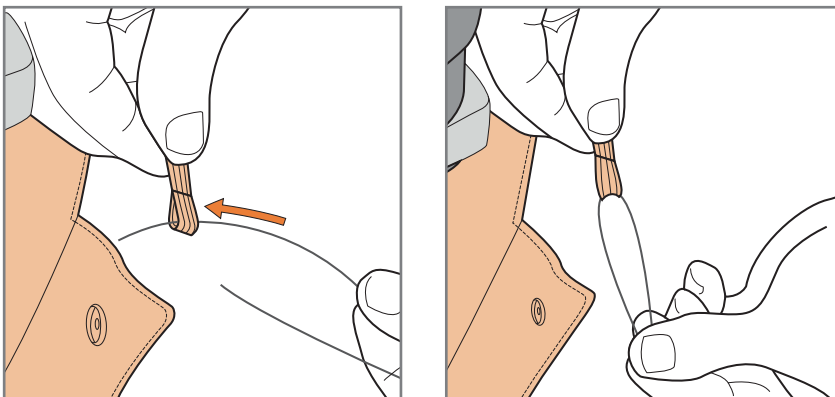
4. Remove the basket from frame.



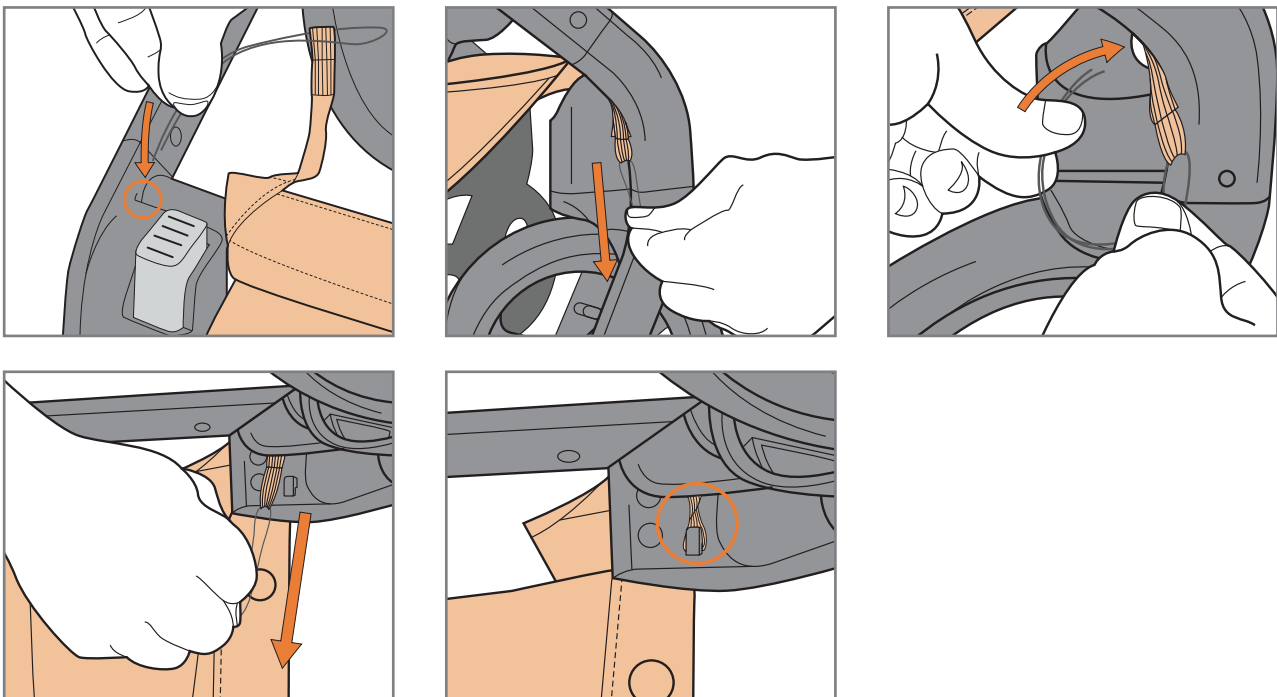
## HOW TO INSTALL YOUR NEW BASKET



5. Attach snap buttons in the front and back of the basket.



6. Find the string provided with your new basket and feed it through one of the elastic loops of the new basket.



7. Feed the two ends of the string through the opening on wheel mounts and attach the elastic loop to the hook.  
Attach the other three elastic loops to their respective hooks. Safely dispose of the string when basket is installed.